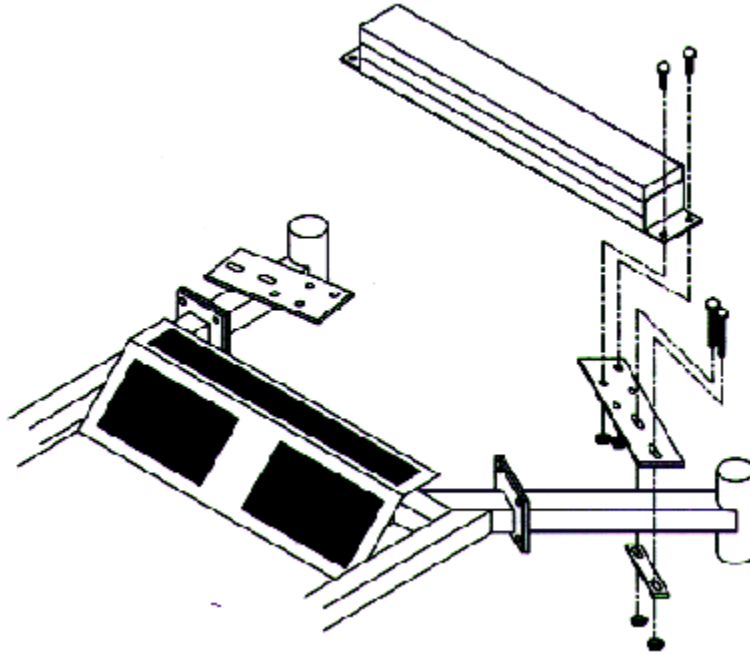


462-Z Counter Weight Kits

Counterbalancing may be necessary with the Model 462-Z or 462-ZK applications, front weight bars are available. The weight kits mount to the front of the ZTR, between the front casters, and stabilize the ZTR for trailering or hard acceleration.



Weight kit Part No. 46275 for Ransomes Bobcat and Great Dane Chariot shown.