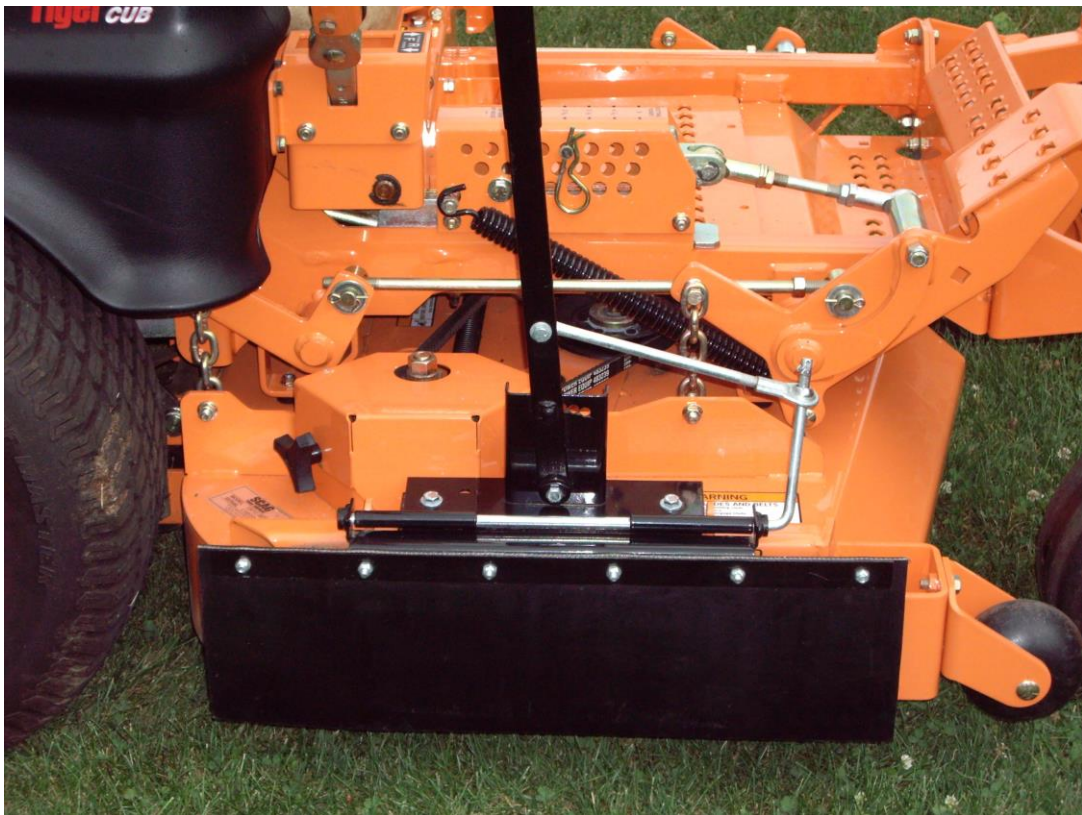


# ***TRAC VAC***

## **DS400 Discharge Shield**

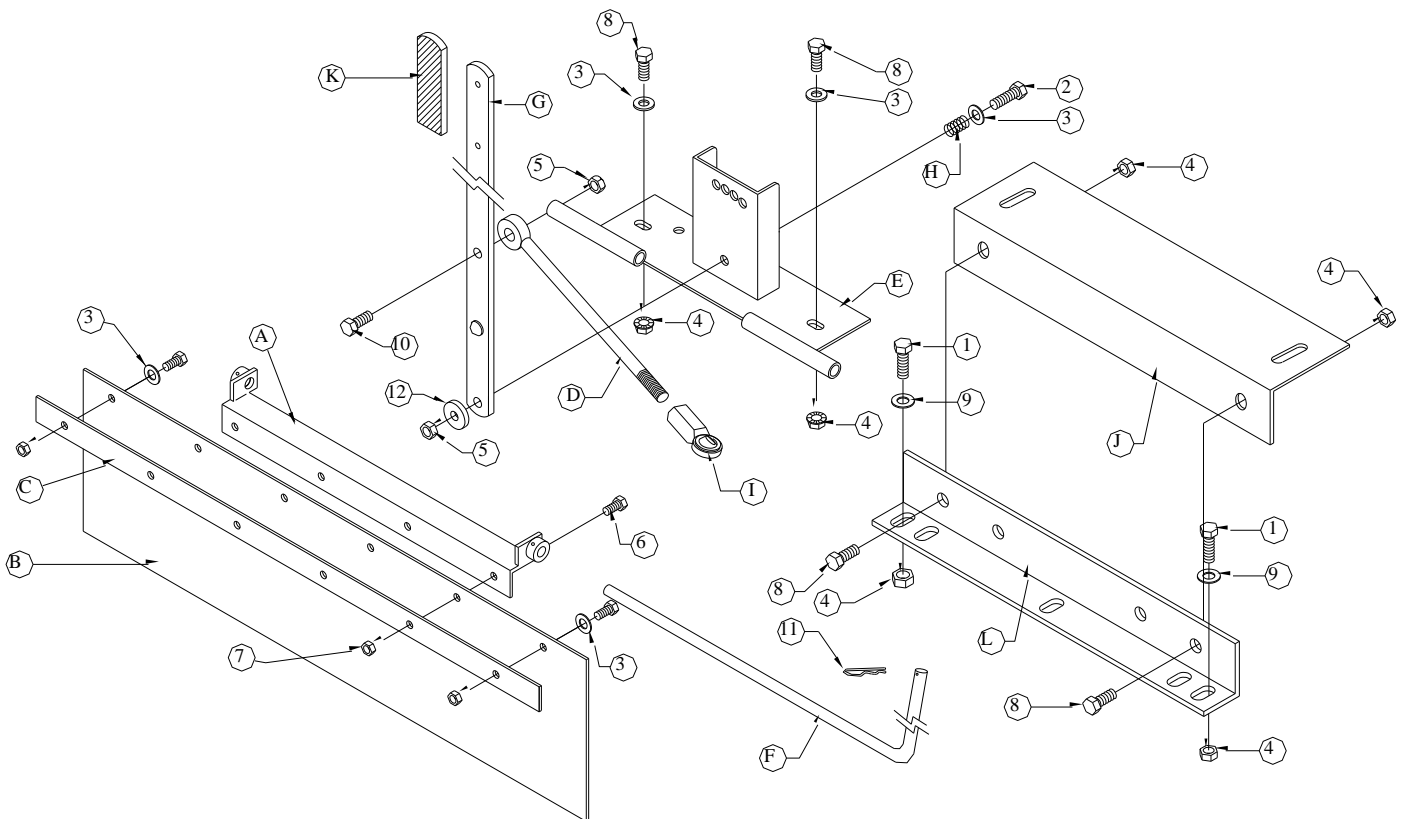


## **Instruction Manual**

**Midwest Equipment Mfg.  
5225 Serum Plant Road  
*Thorntown, IN 46071***

## DS400 PARTS BREAK DOWN

| KEY | PART NO. | DESCRIPTION     | KEY DESCRIPTION         | QTY |
|-----|----------|-----------------|-------------------------|-----|
| A   | DS11010  | Pivot Ass'y     | 1 5/16"-18 x 1 HHC      | 2   |
| B   | DS11022  | Rubber Flap     | 2 5/16"-18 x 1 1/2" HHC | 1   |
| C   | DS11031  | Flap Support    | 3 1/4" USS Flatwasher   | 5   |
| D   | DS11040  | Linkage         | 4 5/16"-18 Whizlock Nut | 6   |
| E   | DS11050  | Mount Assembly  | 5 5/16"-18 Locknut      | 2   |
| F   | DS11060  | Pivot Pin       | 6 1/4"-20 x 1" HHC      | 6   |
| G   | DS11080  | Control Handle  | 7 1/4"-20 Locknut       | 6   |
| H   | 32108    | Spring          | 8 5/16-18 X 3/4" HHC    | 4   |
| I   | 65018    | 3/8" Ball Joint | 9 5/16" Flatwasher      | 2   |
| J   | DS11070  | Mounting Angle  | 10 5/16" x 1 1/4" HHC   | 1   |
| K   | 34241    | Hand Grip       | 11 1/8" x 1" Cotter Pin | 1   |
| L   | DS20010  | Mounting Angle  | 12 56107 Washer         | 1   |



Part No. DS400  
 The Diverter  
 Mounting Instructions

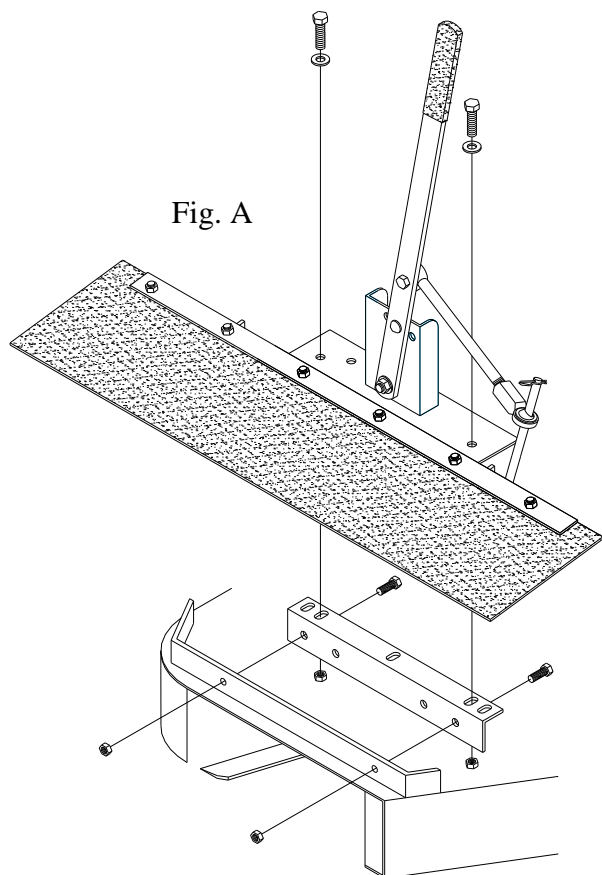


Fig. A

Fig. A

Mounting to a deck with a vertical mounting surface: Loosely attach Diverter to angle mount flange with hardware provided. Hold Diverter with angle attached up to the deck, make sure the flap on the Diverter covers the front of the discharge opening. Mark and drill the hole locations on the vertical mount surface on the deck that align with the holes in the angle mount flange. Attach assembly to deck with hardware provided and tighten all hardware. Trim flap to fit if needed. Periodically check all hardware for tightness.

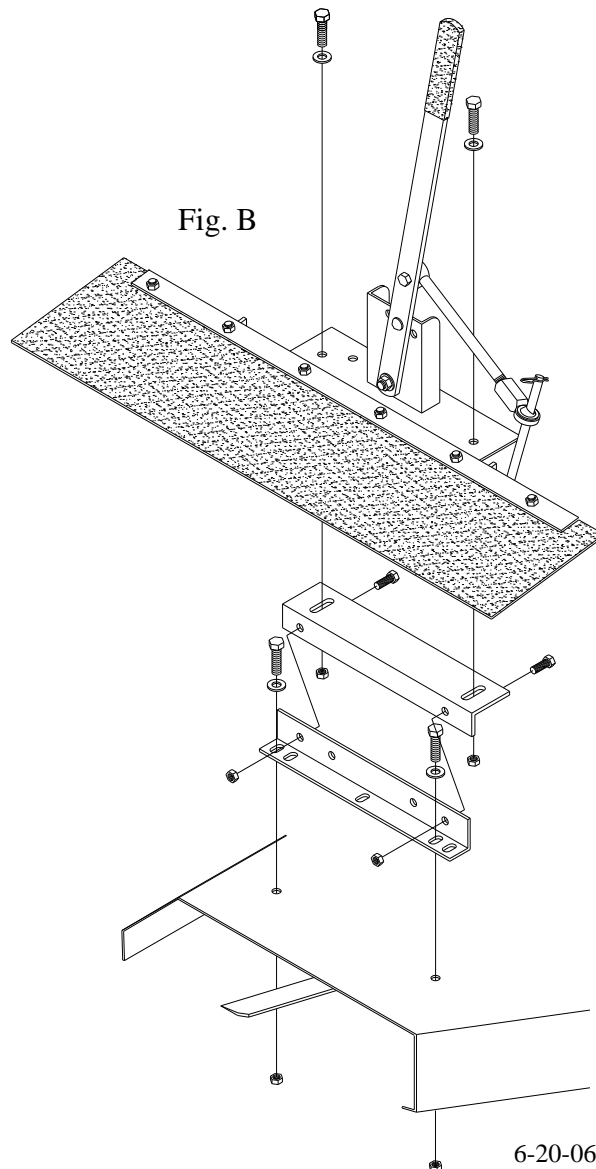


Fig. B

Fig. B

Mounting to a deck with a horizontal mounting surface: Bolt together both of the angle mount flanges with hardware provided and tighten. Loosely attach Diverter to the angle mount flanges combined in the first step. Hold the Diverter up to the deck, make sure the flap on the Diverter covers the front of the discharge opening. Mark and drill the hole locations on the horizontal mount surface on the deck that align with the holes in the angle mount flange. Attach assembly to deck with hardware provided and tighten all hardware. Trim flap to fit if needed. Periodically check all hardware for tightness.

## ***TRAC VAC WARRANTY POLICY***

Midwest Equipment Mfg. will repair or replace, free of charge, any part, or parts that are defective in material or workmanship or both for a period of one year residential use, and 90 day's for commercial and rental use. The purchaser will pay transportation charges on parts submitted for replacement under warranty. For warranty service, contact your local dealer from whom the unit was purchased. There are no other express or implied warranties. Some states do not allow limitations on how long an implied warranty lasts, and some states do not allow the exclusion or limitation of incidental or consequential damages, so the above limitation and exclusion may not apply to you. This warranty gives you specific legal rights and you may also have other rights, which vary from state to state.

MIDWEST EQUIPMENT MFG.

5225 Serum Plant Rd.

Thorntown, IN 46071

Phone: 1-800-Trac-Vac

Web Page: [www.trac-vac.com](http://www.trac-vac.com) E-Mail: [sales@midmfg.com](mailto:sales@midmfg.com)