

# ***TRAC VAC***

## **DS100 Discharge Shield**

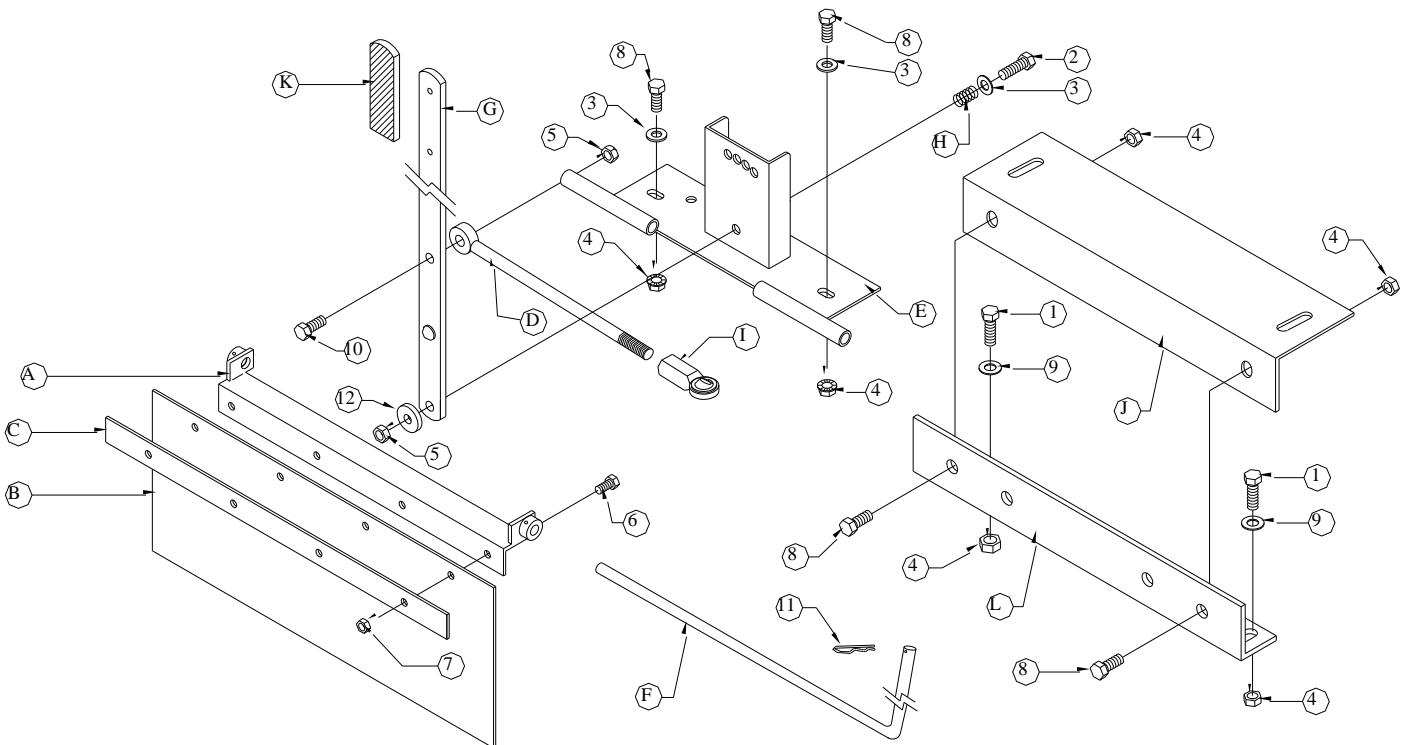


## **Instruction Manual**

**Midwest Equipment Mfg.  
5225 Serum Plant Road  
*Thorntown, IN 46071***

## DS100 PARTS BREAK DOWN

KEY	PART NO.	DESCRIPTION	KEY DESCRIPTION	QTY
A	DS11010	Pivot Ass'y	1 5/16"-18 x 1 HHC	2
B	DS11021	Rubber Flap	2 5/16"-18 x 1 1/2" HHC	1
C	DS11030	Flap Support	3 1/4" USS Flatwasher	3
D	DS11040	Linkage	4 5/16"-18 Whizlock Nut	6
E	DS11050	Mount Assembly	5 5/16"-18 Locknut	2
F	DS11060	Pivot Pin	6 1/4"-20 x 1" HHC	4
G	DS11080	Control Handle	7 1/4"-20 Locknut	4
H	32108	Spring	8 5/16-18 X 3/4" HHC	4
I	65018	3/8" Ball Joint	9 5/16" Flatwasher	2
J	DS11070	Mounting Angle	10 5/16" x 1 1/4" HHC	1
K	34241	Hand Grip	11 1/8" x 1" Cotter Pin	1
L	DS20010	Mounting Angle	12 56107 Washer	1



# Part No. DS100 The Diverter Mounting Instructions

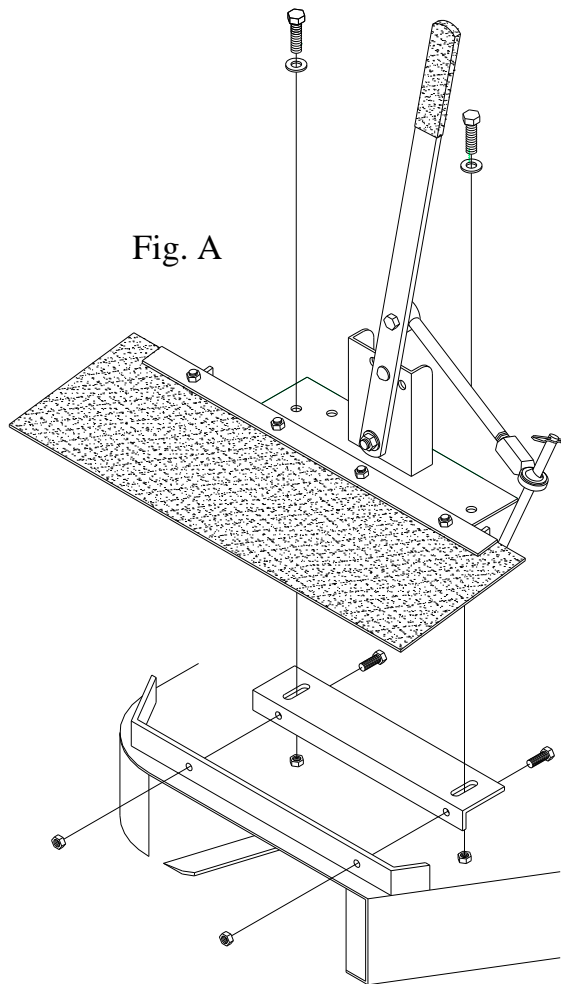


Fig. A  
Mounting to a deck with a vertical mounting surface: Loosely attach Diverter to angle mount flange with hardware provided. Hold Diverter with angle attached up to the deck, make sure the flap on the Diverter covers the front of the discharge opening. Mark and drill the hole locations on the vertical mount surface on the deck that align with the holes in the angle mount flange. Attach assembly to deck with hardware provided and tighten all hardware. Trim flap to fit if needed. Periodically check all hardware for tightness.

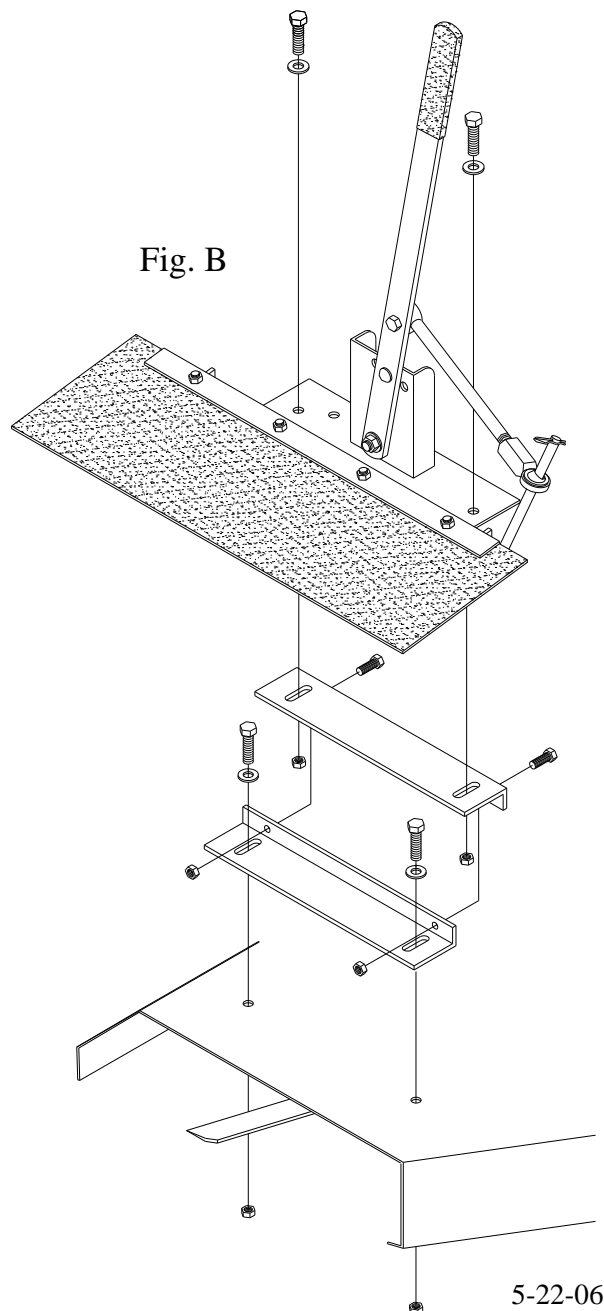


Fig. B  
Mounting to a deck with a horizontal mounting surface: Bolt together both of the angle mount flanges with hardware provided and tighten. Loosely attach Diverter to the angle mount flanges combined in the first step. Hold the Diverter up to the deck, make sure the flap on the Diverter covers the front of the discharge opening. Mark and drill the hole locations on the horizontal mount surface on the deck that align with the holes in the angle mount flange. Attach assembly to deck with hardware provided and tighten all hardware. Trim flap to fit if needed. Periodically check all hardware for tightness.

## ***TRAC VAC WARRANTY POLICY***

Midwest Equipment Mfg. will repair or replace, free of charge, any part, or parts that are defective in material or workmanship or both for a period of one year residential use, and 90 day's for commercial and rental use. The purchaser will pay transportation charges on parts submitted for replacement under warranty. For warranty service, contact your local dealer from whom the unit was purchased. There are no other express or implied warranties. Some states do not allow limitations on how long an implied warranty lasts, and some states do not allow the exclusion or limitation of incidental or consequential damages, so the above limitation and exclusion may not apply to you. This warranty gives you specific legal rights and you may also have other rights, which vary from state to state.

MIDWEST EQUIPMENT MFG.

5225 Serum Plant Rd.

Thorntown, IN 46071

Phone: 1-800-Trac-Vac

Web Page: [www.trac-vac.com](http://www.trac-vac.com) E-Mail: [sales@midmfg.com](mailto:sales@midmfg.com)