

TRAC VAC

DS200 Discharge Shield

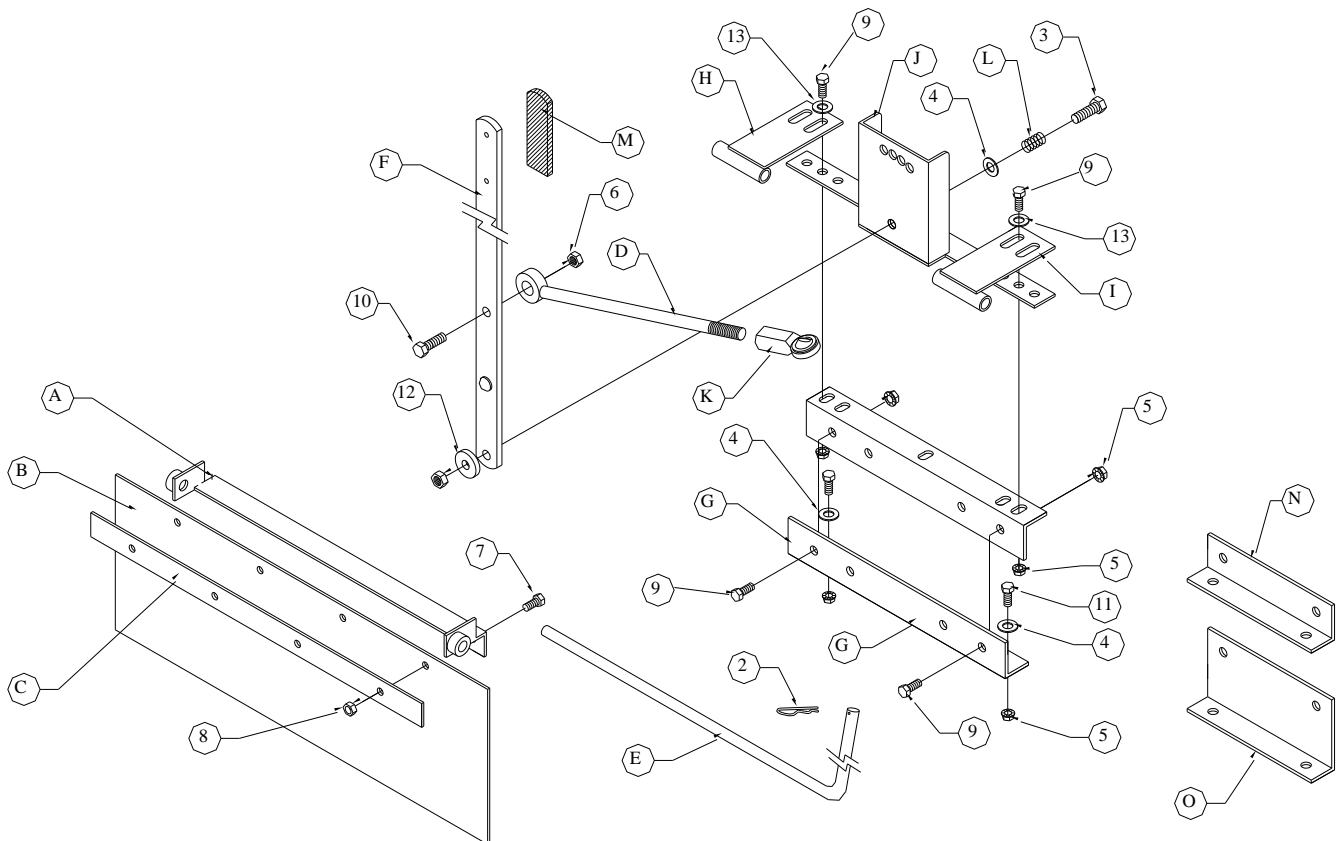


Instruction Manual

**Midwest Equipment Mfg.
5225 Serum Plant Road
Thorntown, IN 46071**

DS200 PARTS BEAK DOWN

KEY	PART NO.	DESCRIPTION	KEY DESCRIPTION	QTY
A	DS11010	Pivot Ass'y	2 Hairpin Cotter	1
B	DS11021	Rubber Flap	3 5/16"-18 x 1 1/2" HHC	1
C	DS11030	Flap Support	4 5/16" USS Flatwasher	3
D	DS11040	Linkage	5 5/16"-18 Whizlock Nut	7
E	DS11060	Pivot Pin	6 5/16"-18 Locknut	2
F	DS11080	Control Handle	7 1/4"-20 X 1" HHC	4
G	DS20010	Mount Angle	8 1/4"-20 Locknut	4
H	DS21030	Pivot Tube, RH	9 5/16-18 X 3/4" HHC	5
I	DS21040	Pivot Tube, LH	10 5/16-18 X 1 1/4" HHC	1
J	DS21050	Mount Ass'y	11 5/16-18 X 1" HHC	2
K	65018	3/8" Ball Joint	12 56107 3/16" Washer	1
L	32108	Spring	13 1/4" FLW	4
M	34241	Hand Grip		
N	DS20020	Short Mount Angle		
O	DS20021	Tall Mount Angle		



Part No. DS200 The Diverter Mounting Instructions

STEP 1:

Bolt the Diverter Shield and Support to the Pivot Assembly as shown in Fig. A.

STEP 2:

Bolt the angle mount flange to the control handle assembly as illustrated in Fig. B with hardware provided and tighten. Attach the Diverter with the pivot pin. Hold the Diverter up to the deck. Make sure the flap flap on the Diverter covers the front of the discharge opening. Mark and drill the hole locations on the horizontal mount surface on the deck that align with the holes in the angle mount flange. Attach assembly to deck with hardware provided and tighten all hardware. Trim flap to fit if needed. Periodically check all hardware for tightness.

Note: A shorter mount angle and a short angle with a taller rise are included for decks with smaller surface area.

Fig. A

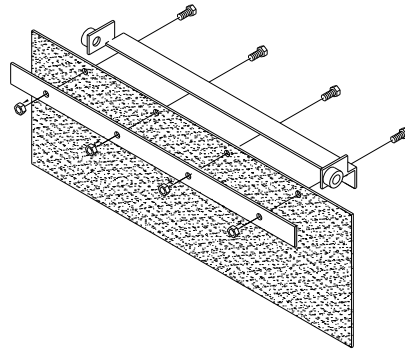


Fig. B

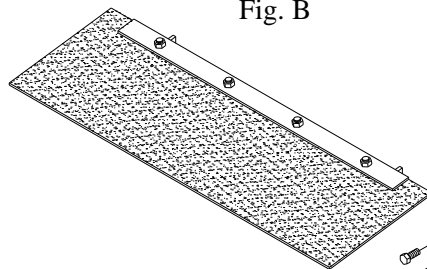
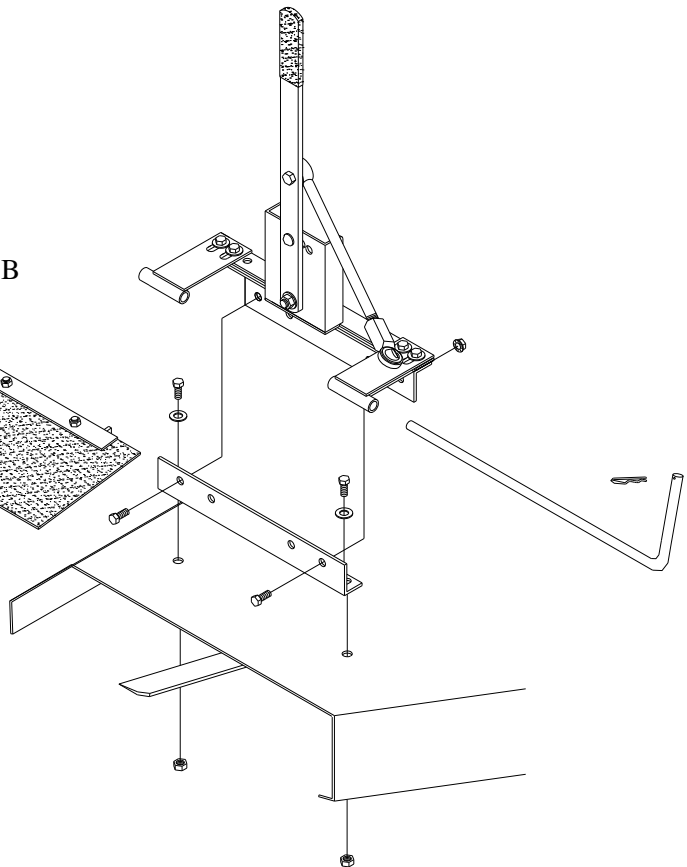
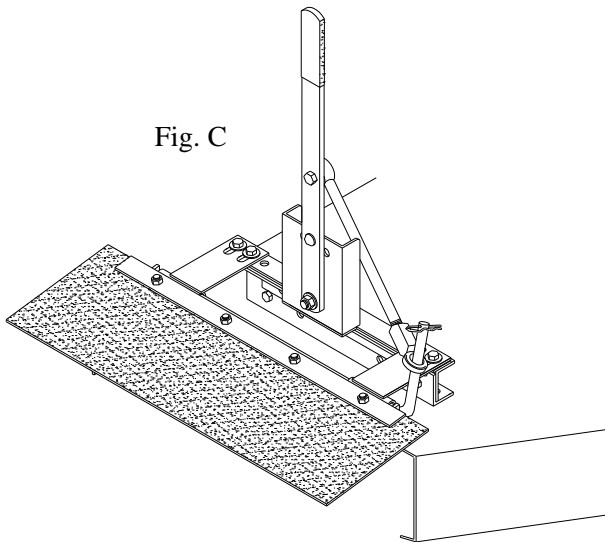


Fig. C



TRAC VAC WARRANTY POLICY

Midwest Equipment Mfg. will repair or replace, free of charge, any part, or parts that are defective in material or workmanship or both for a period of one year residential use, and 90 day's for commercial and rental use. The purchaser will pay transportation charges on parts submitted for replacement under warranty. For warranty service, contact your local dealer from whom the unit was purchased. There are no other express or implied warranties. Some states do not allow limitations on how long an implied warranty lasts, and some states do not allow the exclusion or limitation of incidental or consequential damages, so the above limitation and exclusion may not apply to you. This warranty gives you specific legal rights and you may also have other rights, which vary from state to state.

MIDWEST EQUIPMENT MFG .

5225 Serum Plant Rd.

Thorntown, IN 46071

Phone: 1-800-Trac-Vac

Web Page: www.trac-vac.com E-Mail: sales@midmfg.com