

TRAC VAC

DS300 Discharge Shield

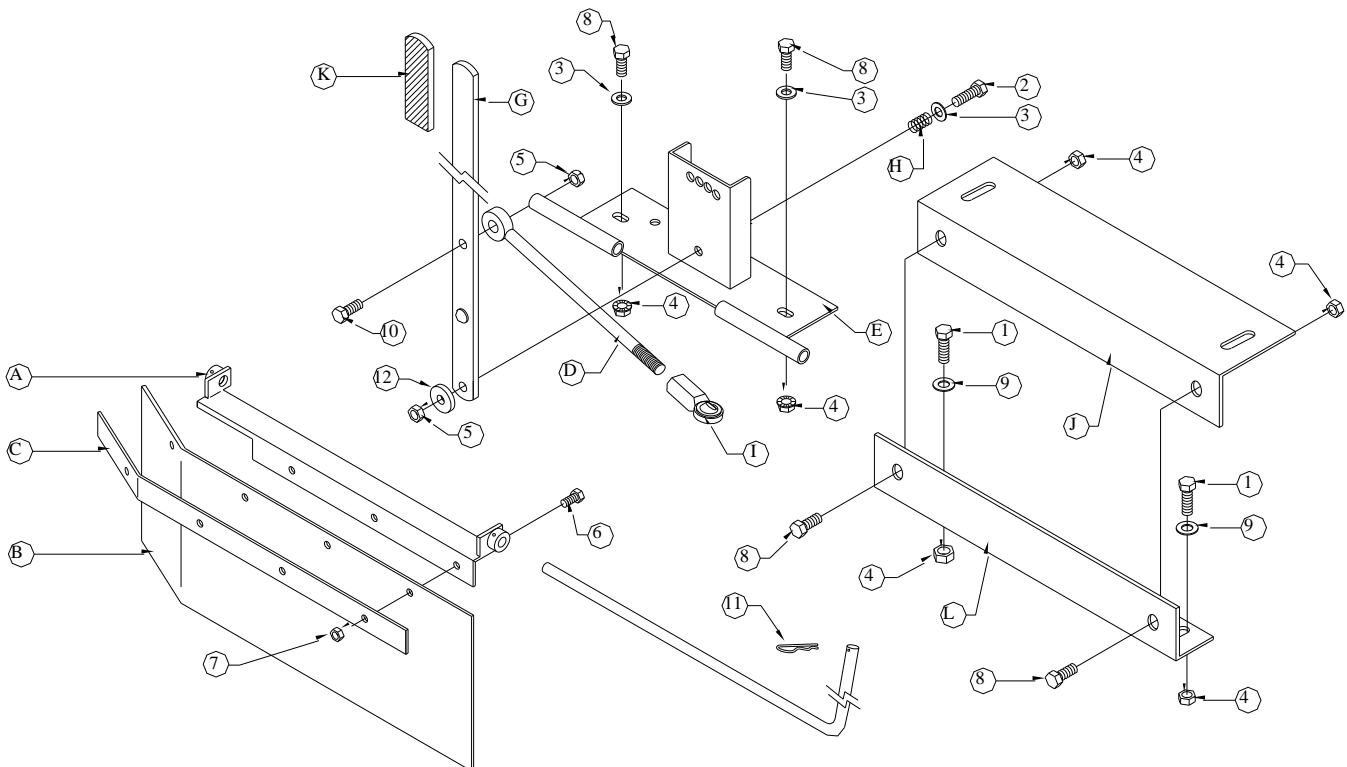


Instruction Manual

**Midwest Equipment Mfg.
5225 Serum Plant Road
*Thorntown, IN 46071***

DS300 PARTS BREAK DOWN

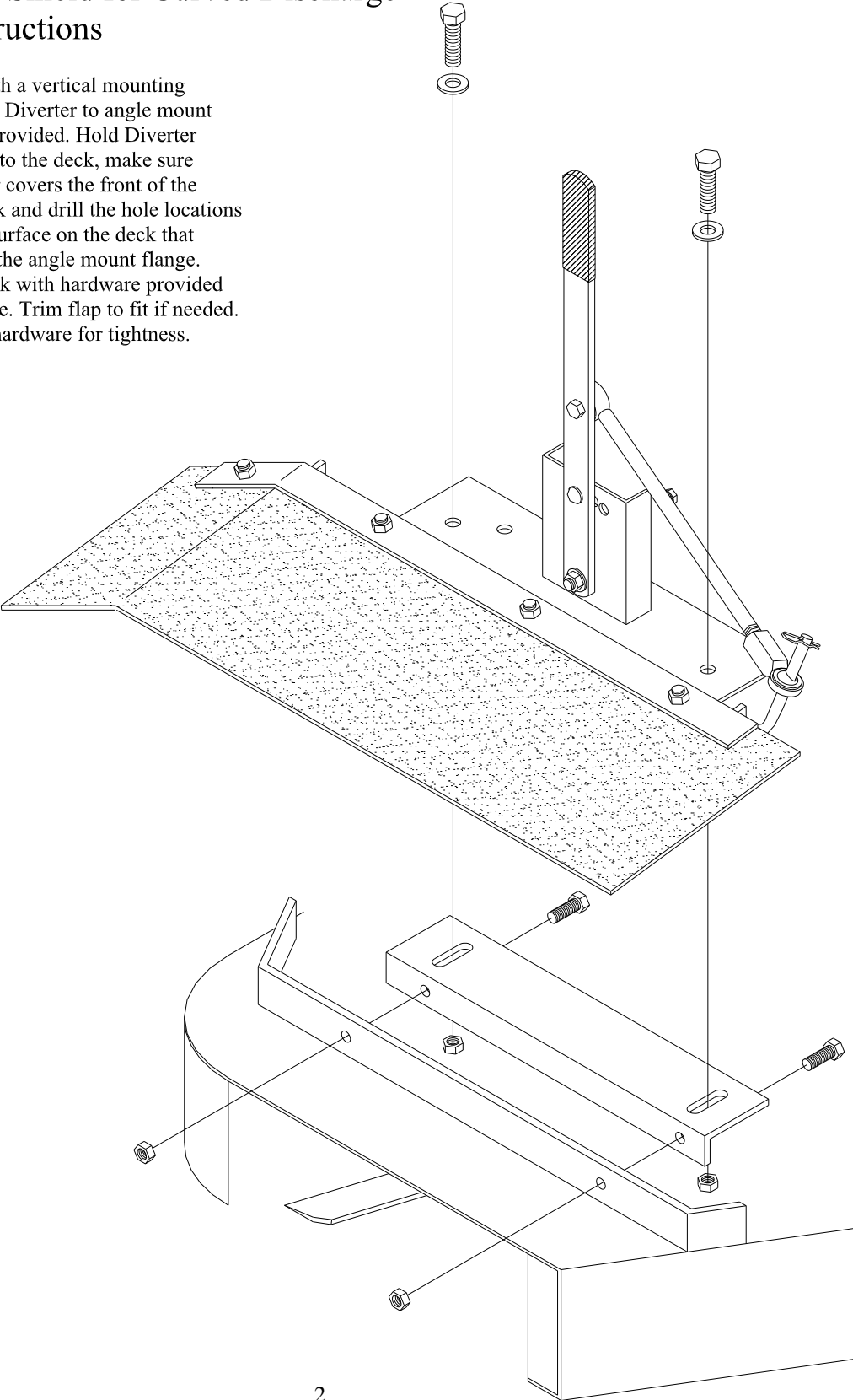
KEY	PART NO.	DESCRIPTION	KEY DESCRIPTION	QTY
A	DS31010	Pivot Ass'y	1 5/16"-18 x 1 HHC	2
B	DS31020	Rubber Flap	2 5/16"-18 x 1 1/2" HHC	1
C	DS31030	Flap Support	3 1/4" USS Flatwasher	3
D	DS11040	Linkage	4 5/16"-18 Whizlock Nut	6
E	DS11050	Mount Assembly	5 5/16"-18 Locknut	2
F	DS11060	Pivot Pin	6 1/4"-20 x 1" HHC	4
G	DS11080	Control Handle	7 1/4"-20 Locknut	4
H	32108	Spring	8 5/16-18 X 3/4" HHC	4
I	65018	3/8" Ball Joint	9 5/16" Flatwasher	2
J	DS11070	Mounting Angle	10 5/16" x 1 1/4" HHC	1
K	34241	Hand Grip	11 1/8" x 1" Cotter Pin	1
L	DS20010	Mounting Angle	12 56107 3/16 Washer	1



Part No. DS300

The Discharge Shield for Curved Discharge Mounting Instructions

Mounting to a deck with a vertical mounting surface: Loosely attach Diverter to angle mount flange with hardware provided. Hold Diverter with angle attached up to the deck, make sure the flap on the Diverter covers the front of the discharge opening. Mark and drill the hole locations on the vertical mount surface on the deck that align with the holes in the angle mount flange. Attach assembly to deck with hardware provided and tighten all hardware. Trim flap to fit if needed. Periodically check all hardware for tightness.



TRAC VAC WARRANTY POLICY

Midwest Equipment Mfg. will repair or replace, free of charge, any part, or parts that are defective in material or workmanship or both for a period of one year residential use, and 90 day's for commercial and rental use. The purchaser will pay transportation charges on parts submitted for replacement under warranty. For warranty service, contact your local dealer from whom the unit was purchased. There are no other express or implied warranties. Some states do not allow limitations on how long an implied warranty lasts, and some states do not allow the exclusion or limitation of incidental or consequential damages, so the above limitation and exclusion may not apply to you. This warranty gives you specific legal rights and you may also have other rights, which vary from state to state.

MIDWEST EQUIPMENT MFG.

5225 Serum Plant Rd.

Thorntown, IN 46071

Phone: 1-800-Trac-Vac

Web Page: www.trac-vac.com E-Mail: sales@midmfg.com