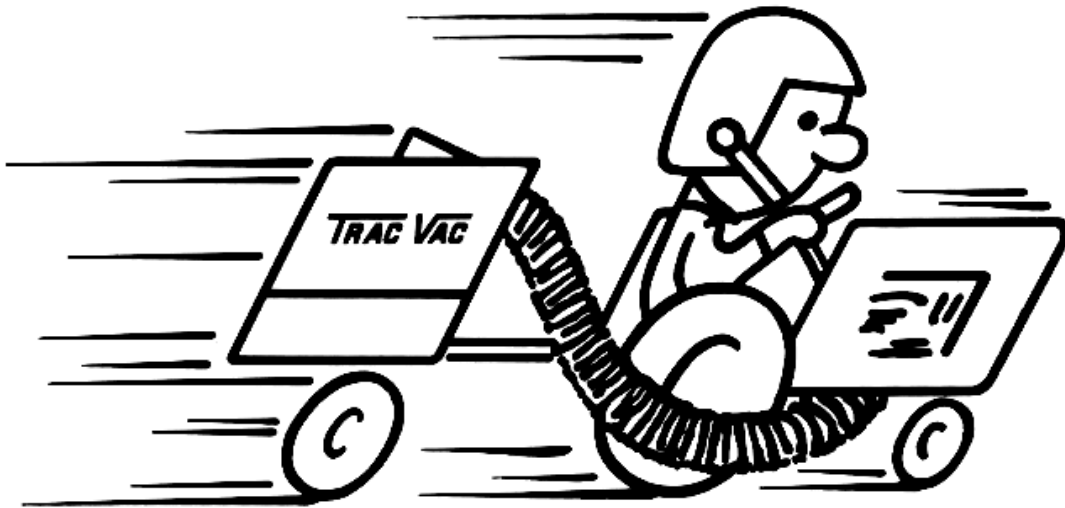


TRAC VAC

Model 652-IC/PRO/H/K



Operating and Assembly Manual

**Midwest Equipment Manufacturing, Inc..
5225 Serum Plant Road
Thorntown, IN 46071**

SAFETY RULES

Remember, any power equipment can cause injury if operated improperly or if the user does not understand how to operate the equipment. Exercise caution at all times when using power equipment.



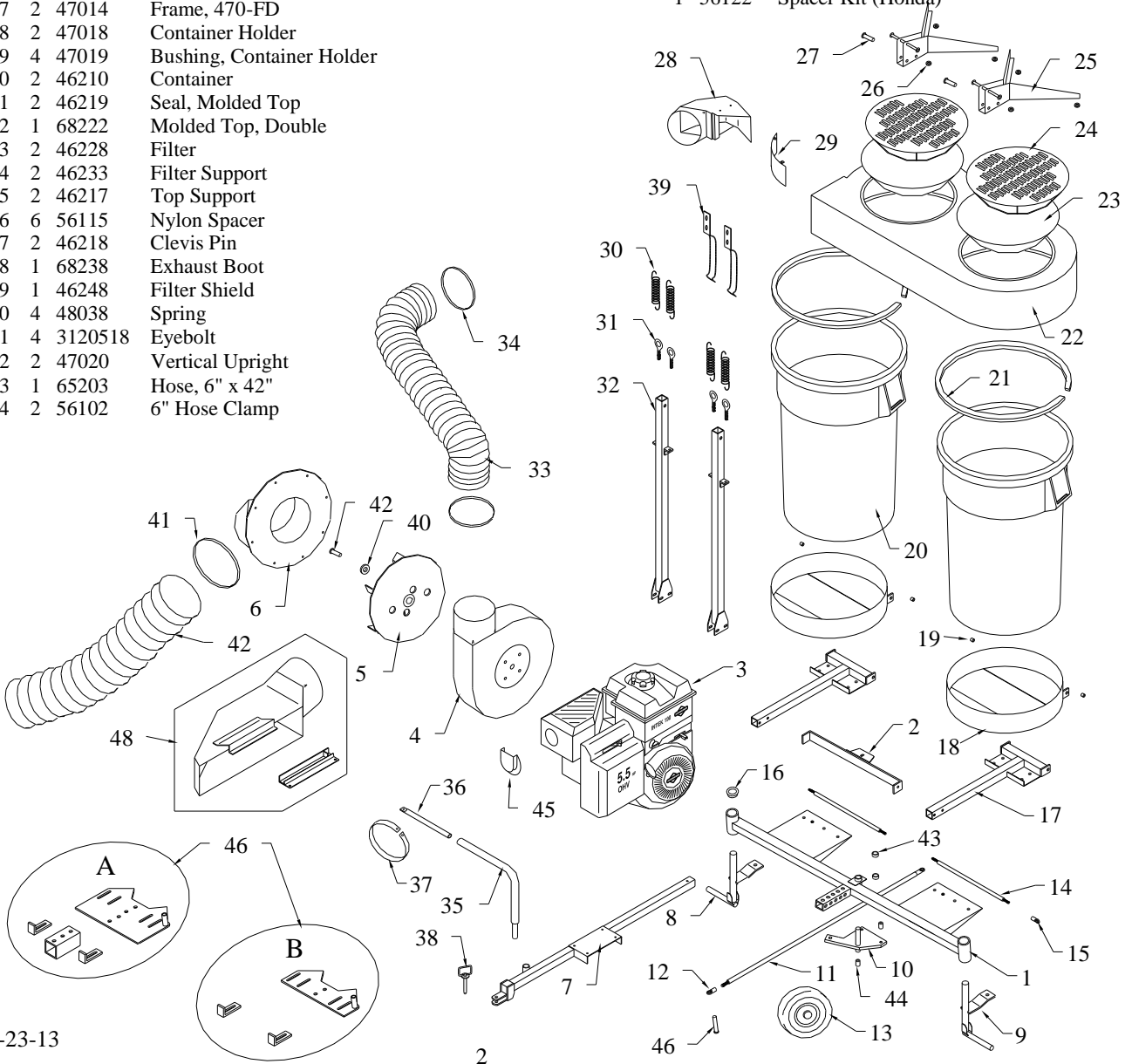
This symbol means **Attention!!!!** It is used to point out safety precautions.

- Read and follow all instructions in this manual before assembly or operation of this equipment. Failure to comply with these instructions may result in personal injury. Keep this manual for future reference and for ordering replacement parts.
- Read this instruction manual carefully. Become familiar with the controls and proper use of this equipment.
- Read the engine owners manual and safe operation rules before using this equipment.
- Never allow children less than 16 years of age to operate the Trac-Vac. Children 16 years and older should operate **only** under close parental supervision.
- Do not allow anyone to operate this equipment without proper instruction.
- Do not allow passengers to ride on the Trac-Vac or on the towing vehicle.
- Keep children and pets out of area of operation.
- Check fuel before starting engine. **Do Not** fill fuel tank indoors, or while engine is running or hot. Wipe off any spilled fuel before starting engine.
- Engine and muffler get **HOT! Do Not** touch! Keep debris from accumulating on or around engine and muffler to avoid fire hazard.
- Allow engine to cool before storing in any enclosed area. Never store Trac-Vac with fuel in tank.
- Do not operate engine if air cleaner or cover is removed, except for adjustments. Removal of the part could create a fire hazard.
- Keep hands, feet, face, long hair and clothing out of inlet and discharge areas. There are **ROTATING BLADES** inside these openings.
- Make certain that all moving parts come to a complete stop before cleaning, repairing or inspection. Disconnect spark plug wire and keep away from plug to prevent accidental starting.
- If Trac-Vac should become clogged with debris, **SHUT OFF ALL ENGINES** and wait until impeller comes to a complete stop before attempting to remove obstruction. Disconnect spark plug wire to prevent accidental starting.
- If excessive vibration occurs while operating your Trac-Vac, stop the engine immediately, disconnect the spark plug wire and allow all moving parts to stop completely before taking the following steps.
 - A. Inspect for damage.
 - B. Repair or replace any damaged parts.
 - C. Check for loose parts and tighten to assure continued safe operation.
- Check all hardware periodically to insure safe operation.
- Check cart cover periodically for wear and replace if worn or damaged.
- **Never** operate Trac-Vac without intake hose and exhaust hose attached in proper place.
- **Do Not** remove exhaust hose or attempt to empty contents of container while engine is running.
- Keep all shields and guards in place and securely attached.
- Always wear eye protection (safety glasses or goggles) when operating this equipment.
- **Do Not** stand behind unit in exhaust discharge area while engine is running.
- **Do Not** operate this equipment while intoxicated or while taking medications that could impair reactions or senses.
- Operate this equipment at reduced ground speed on rough terrain, along creeks and ditches and on slopes to prevent tipping or loss of control.
- Vehicle stability and braking are affected by the addition of this unit. Do not fill the Trac-Vac to its full capacity without checking the capability of the towing vehicle to safely pull and stop with the unit attached.
- **Do Not** operate on slopes in excess of 10 degrees. **STAY OFF OF STEEP SLOPES!**
- Follow the maintenance instructions outlined in this manual.

Trac-Vac Model 652

Key	Qty	P/N	Description
1	1	65010	Main Frame
2	1	65201	Lower Frame Support
3	1	56021	Engine, 5 HP Briggs
		56022	Engine, 5.5 HP Honda
		56028	Engine, 6 HP Kohler
4	1	56030	Turbine Housing, (5.5 Briggs, Honda)
		46242	Turbine Housing (6.5 Briggs, Kohler)
5		56040	Turbine, 5HP (5.5 Briggs, Honda)
		46254	Turbine, 6HP (6.5 Briggs, Kohler)
6	1	88040	Inlet, 880 (5.5 Briggs, Honda)
		47050	Inlet, 8" (6.5 Briggs, Kohler)
7	1	65016	Drawbar
8	1	65030	Steering Arm Ass'y, LH
9	1	65031	Steering Arm Ass'y, RH
10	1	65020	Steering Arm Ass'y, Center
11	1	65023	Main Tie Rod
12	2	65019	Tie Rod Ball Joint, 1/2"
13	2	68050	Wheel
14	2	65024	Rear Tie Rod (19")
15	4	65018	Tie Rod Ball Joint, 3/8"
16	4	65032	1" Nylon Bushing
17	2	47014	Frame, 470-FD
18	2	47018	Container Holder
19	4	47019	Bushing, Container Holder
20	2	46210	Container
21	2	46219	Seal, Molded Top
22	1	68222	Molded Top, Double
23	2	46228	Filter
24	2	46233	Filter Support
25	2	46217	Top Support
26	6	56115	Nylon Spacer
27	2	46218	Clevis Pin
28	1	68238	Exhaust Boot
29	1	46248	Filter Shield
30	4	48038	Spring
31	4	3120518	Eyebolt
32	2	47020	Vertical Upright
33	1	65203	Hose, 6" x 42"
34	2	56102	6" Hose Clamp

Key	Qty	P/N	Description
35	1	88020	Hose Support Arm
36	1	18125	Support Arm Extension
37	1	18118	Hose Support Strap 8"
38	1	58104	Hitch Pin
39	2	46235	Container Latch
40	1	56107	Washer, Turbine (5.5 Briggs, Honda)
41	2	18119	Hose Clamp, 8"
42	1	88101	Hose, 8" x 90"
43	2	200185	Bushing, Bronze
44	2	65202	Spacer, Center Pivot
45	1	86115	Muffler Deflector (5.5, 6.5 Briggs)
	1	1526502	Muffler Deflector (Kohler)
46A	1	65101	Universal Hitch, Tractor Mount
46B	1	65102	Universal Hitch, Zero Turn
47	1	5001334	Clevis Pin, 1/2" x 3 1/2"
48	1	***-8	Deck Chute Ass'y, (Deck Specific)
49	1	3120608	Turbine Bolt
	2	45131	Decal, Trac-Vac, White
	1	45133	Decal, Warning
	1	56122	Spacer Kit (Honda)



OPERATING PROCEDURE

1. Follow engine manufacturer's instructions in preparing engine for operation.
2. Inspect area to be vacuumed and pickup all harmful objects and litter. Rocks and other harmful debris can do serious damage to vacuum assembly and cause bodily injury.
3. For best vacuuming results operate tractor at manufacturer's recommended speed for best cutting. If grass is high, mow first and vacuum on the second pass.
4. When mowing keep discharge chute to the outside of cutting area for better cut and efficient pickup of grass clippings and leaves.
5. Your vacuum is preset to run at approximately, 3800-RPM (385), at no load. Do not slow down engine.
6. **SHUT OFF ENGINE TO UNLOAD.**
7. When operating tractor on slope or grade, exercise extreme caution. Do not cut across grade or slope. Mow directly up and down hills.
8. Periodically check all fasteners for tightness.
9. Listen for unusual vibration of engine or air turbine. If excessive vibration is present, STOP engine and check for damage to turbine fan.
10. Always shut off tractor engine and vacuum engine before servicing.
11. Replace deflector shield when discharge chute is removed.
12. When removing clogs, **SHUT OFF ALL ENGINES.**

EXTENDED STORAGE PROCEDURES

1. Wash and clean vacuum, and lubricate any lubrication points.
2. Drain fuel from the tank and run vacuum until fuel is exhausted in carburetor.
3. Drain and change the engine oil.
4. Clean tires and check pressure. Raising and supporting unit with weight off tires is recommended.
5. When storing a unit with Rubbermaid® containers leave containers latched to top.

TRAC VAC WARRANTY POLICY

Midwest Equipment Manufacturing, Inc. will repair or replace, free of charge, any part, or parts that are defective in material or workmanship or both for a period of one year residential use, and 90 day's for commercial and rental use. The purchaser will pay transportation charges on parts submitted for replacement under warranty. For warranty service, contact your local dealer from whom the unit was purchased. There are no other express or implied warranties. Some states do not allow limitations on how long an implied warranty lasts, and some states do not allow the exclusion or limitation of incidental or consequential damages, so the above limitation and exclusion may not apply to you. This warranty gives you specific legal rights and you may also have other rights, which vary from state to state.

MIDWEST EQUIPMENT MANUFACTURING, INC.

5225 Serum Plant Rd.-Thorntown, IN 46071

Phone: 1-800-Trac-Vac

Web Page: www.trac-vac.com E-Mail: sales@midmfg.com