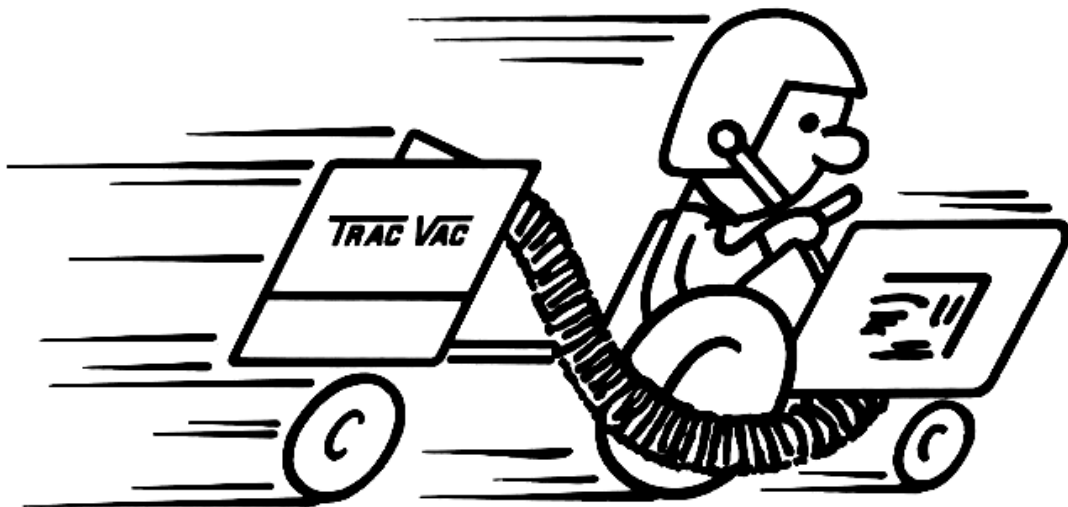


TRAC VAC

MODEL 565C



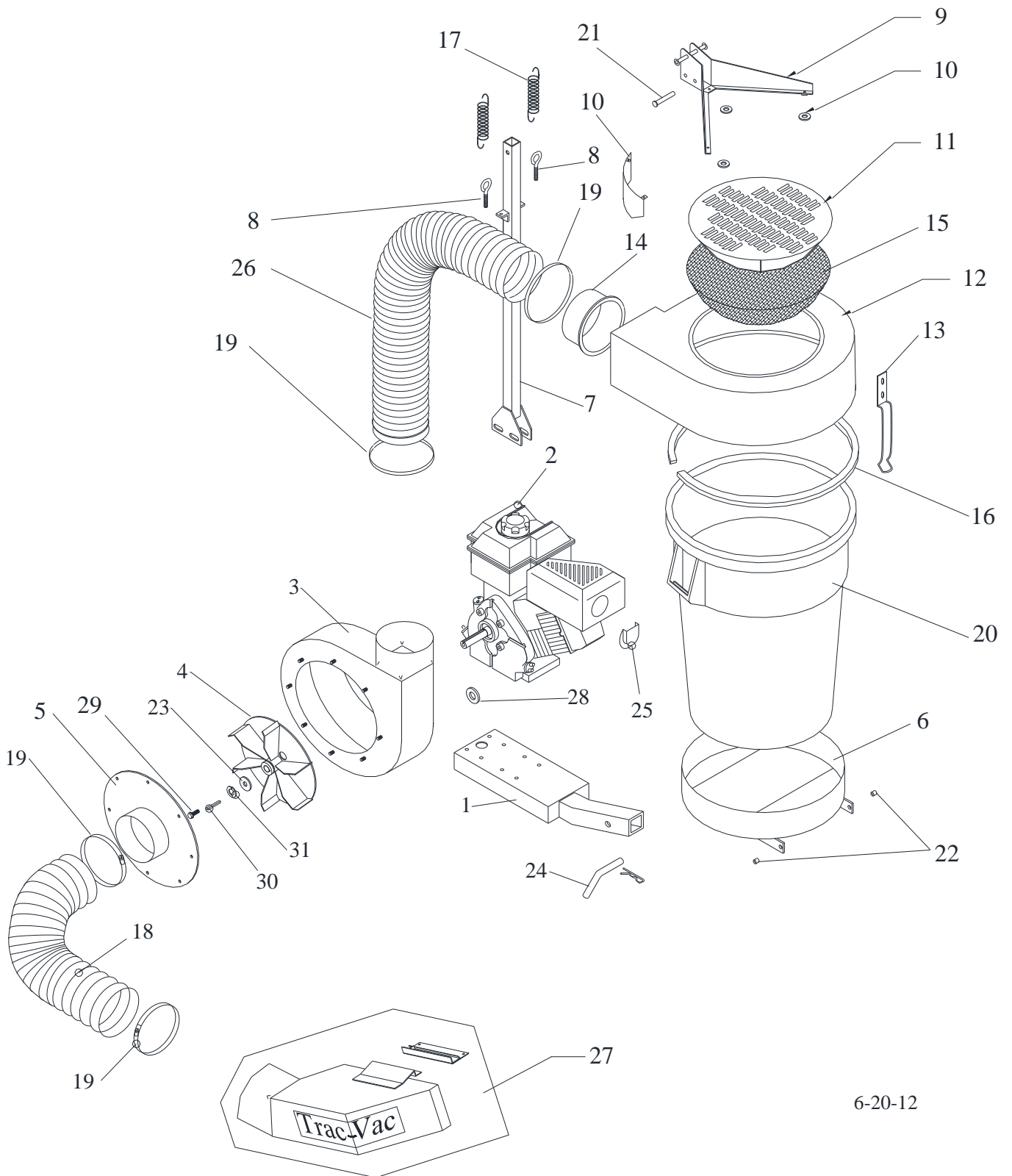
Operating and Assembly Manual

**Midwest Equipment Manufacturing, Inc.
5225 Serum Plant Road
Thorntown, IN 46071**

MODEL 565-C TRAC VAC

<u>KEY</u>	<u>PART#</u>	<u>DESCRIPTION</u>	<u>QTY</u>
1	56510-1	Frame, 565 RH	1
	56511	Frame, 565 RH Elec,	1
2	56021	Engine, Intek 206 I/C w/3/4" Shaft	1
	56015	Engine, Kohler 6HP CS6T w/ 7/8" Shaft	1
	56018	Engine, Briggs Intek Pro 206CC w/ 1" Shaft	1
	52048	Engine, Vanguard 6.5 HP	1
3	56030	Turbine Housing, RH	1
4	56040	Turbine, 5HP	1
	46265	Turbine, 7/8" Bore	1
	46253	Turbine, 1" Bore, 6 1/2 HP Intek	1
5	56050	Inlet, 6"	1
6	47018	Container Holder	1
7	47020	Vertical Upright	1
8	3120518	Eyebolt	2
9	46217	Top Support	1
10	56115	Nylon Spacer	3
11	46233	Filter Support	1
12	48222	Molded Top	1
13	46235	Container Latch	1
14	48040	Intake Nozzle	1
15	46228	Filter	1
16	46219	Seal	1
17	48038	Spring	2
18	60050	Hose, 6" x 60"	1
19	56102	Band Clamp	4
20	46210	Container, 44 Gallon	1
21	46218	Clevis Pin, Vertical Support	1
22	47019	Spacer, Container Holder	2
23	56029	Turbine Spacer (Honda & Elec.)	1
24	85225	Draw Pin	1
25	86504	Muffler Deflector	1
	56016	Muffler Deflector, Kohler	1
26	60051	Hose, Heavy duty, 6" x 60"	1
27	***-6	Chute Assembly (tractor specific)	1
28	56107	3/16" Washer	1
29	3120608	Turbine Bolt	1
30	2501720	Key Stock	1
31	3120801	Split Lock Washer	1

Trac-Vac Model 565-C/H/PRO/K



6-20-12

MODEL 565-C ASSEMBLY INSTRUCTIONS

1. Attach hitch and container holder frame to tractor.
2. Slip square tube on frame (1) inside receiver on hitch. Align holes and secure assembly with 5/8" draw pin (24). Secure with hairpin clip. Set engine assembly (2) on frame with inlet facing front of tractor. Align holes and secure engine to frame with 5/16" x 1 1/2" HHC and locknuts.
3. Set container holder (6) onto container holder frame. Align holes and slip spacers (22) thru holes. Secure assembly with 3/8" x 1" HHC and locknuts. Set container (20) into container holder and tighten bolts until container holder supports container in a tilted position. Pivot container holder assembly to rest position.
4. Align slot on vertical upright (7) to hole on container holder frame and secure with 3/8" x 2 1/4" HHC, flatwasher and whizlock nuts. (NOTE: eyebolt brackets on the upright should be positioned toward container holder.)
5. Spin 5/16" hexnut onto eyebolts (8). Fit eyebolts thru eyebolt brackets on vertical support and secure with 5/16" whizlock nuts.
6. Slide intake nozzle (14) thru intake opening of molded top with lip inside. Slide 6" x 60" hose (26) over intake nozzle. Seat hose against molded top and secure with 6" band clamp (19).
7. Fit filter (15) over filter support assembly (11).
8. Align slots on container latch (13) to holes on molded top and secure with 1/4" x 1/2" truss screws and whizlock nuts.
9. Peel paper backing away from seal. Apply adhesive surface of inside of lip on bottom of molded top. Leave approximately 1" of seal hanging over edge of lip. Trim seal overlap.
10. Place molded top assembly on top of container. Align pivot hole on top support to pivot hole on vertical upright. Secure with 1/2" x 2 1/4" HHC and nylon locknut. Tighten until a slight drag is felt when pivoting top. Pivot upwards until springs (17) can be attached to spring retainer on top support and to eyebolts. Lower top assembly and slip 3/8" x 2 1/8" clevis pin (21) thru locking pin hole. Secure with 1/8" x 1" cotter key.
11. If molded top assembly does not align properly with container, loosen bolts at base of vertical upright and adjust. Rotate container clockwise until handle contacts vertical upright. Hook container latch over remaining handle. Slip band clamp over free end of 6" x 60" hose and slip over turbine housing neck. Tighten clamp (NOTE: some applications may require shorter hose length. Trim hose to desired length and replace clamp.
12. Attach chute to mower deck. Slip one end of hose (18) over neck and the remaining end over inlet. Fasten with 6" band clamps. (NOTE: trim to desired length, if necessary.)
13. Read engine operating instructions and service engine before starting.

OPERATING PROCEDURE

1. Follow engine manufacturer's instructions in preparing engine for operation.
2. Inspect area to be vacuumed and pickup all harmful objects and litter. Rocks and other harmful debris can do serious damage to vacuum assembly and cause bodily injury.
3. For best vacuuming results, operate tractor at manufacturer's recommended speed for best cutting. If grass is high, mow first and vacuum on the second pass.
4. When mowing, keep discharge chute to the outside of cutting area for better cut and efficient pickup of grass clippings and leaves.
5. Your vacuum is preset to run at approximately 3200-RPM (380), 3800-RPM (385), at no load. Do not slow engine down.
6. **SHUT OFF ALL ENGINES TO UNLOAD.**
7. When operating tractor on slope or grade, exercise extreme caution. Do not cut across grade or slope. Mow directly up and down hills.
8. Periodically check all fasteners for tightness.
9. Listen for unusual vibration of engine or air turbine. If excessive vibration is present, STOP engine and check for damage to turbine fan.
10. Always shut off tractor engine and vacuum engine before servicing.
11. Replace deflector shield when discharge chute is removed.
12. When removing clogs, **SHUT OFF ALL ENGINES.**

EXTENDED STORAGE PROCEDURES

1. Wash and clean vacuum and lubricate any lubrication points.
2. Drain fuel from tank and run until fuel is exhausted in carburetor.
3. Drain and change the engine oil.
4. Clean tires and check pressure. Raising and supporting unit with weight off tires is recommended.
5. When storing a unit with Rubbermaid® containers, leave containers latched to top.

TRAC VAC WARRANTY POLICY

Midwest Equipment Manufacturing, Inc. will repair or replace, free of charge, any part or part that are defective in material or workmanship or both for a period of one year residential use and 90 days for commercial and rental use. The purchaser will pay transportation charges on parts submitted for replacement under warranty. For warranty service, contact your local dealer from whom the unit was purchased. There are no other express or implied warranties. Some states do not allow limitations on how long an implied warranty lasts, and some states do not allow the exclusion or limitation of incidental or consequential damages, so the above limitation and exclusion may not apply to you. This warranty gives you specific legal rights and you may have other rights, which vary from state to state.

MIDWEST EQUIPMENT MANUFACTURING, INC.-5225 Serum Plant Road.-Thorntown, IN
46071

Phone: 1-800-Trac-Vac

Web Page: www.trac-vac.com E-Mail: sales@midmfg.com