

# ***TRAC VAC***

## **Model 330 & 335 TOW BEHIND DE-THATCHER**

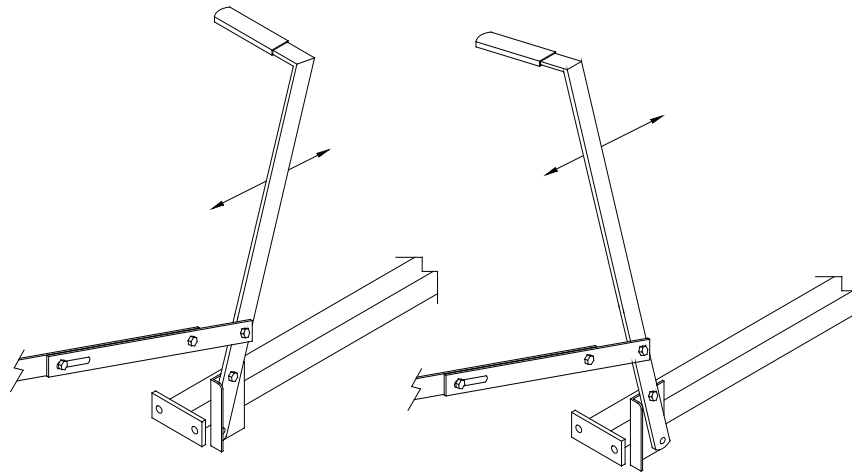


## **Operating and Assembly Manual**

**Midwest Equipment Mfg.**  
**5225 Serum Plant Road**  
***Thorntown, IN 46071***  
**Assembly Instructions**

Your Model 330 De-Thatcher comes partially assembled. Remove all parts from the cartons to be sure you have received all parts necessary for assembly.

1. Attach Frame Mount (B) to Frame (A) with 3/8" x 3/4" HHC and Whizlock nuts provided, three (3) on the front and two (2) on the rear. Do not tighten. **Fig. 1**
2. Attach wheels (J) as illustrated **Fig. 2** with 1/2-13 x 2 3/4" HHC, 1/2" USS flat washer and locknut provided.
3. Next, attach draw strap (C) to frame mount (B) with 3/8" x 1" HHC and locknuts provided. **Note:** Draw strap (C) mounts to the outside of the Frame mount (B). Bolt drawbar (D) to draw strap with 3/8" hardware as illustrated. **Fig. 3**
4. Bolt the Lift Handle (E) to the drawbar, (D) with the 5/16-18 x 1 1/2" HHC, Spring (K), and lock nut as illustrated. **Fig. 4**
5. Bolt together two (2) Lift brackets (G) with 5/16 x 3/4" HHC and Whizlock nuts as illustrated. Bolt one end of the assembled lift brackets to the top hole in the lift handle (E). Bolt the other end of the lift brackets to the upright bracket on the frame mount (B) Do not tighten hardware until all adjustments have been made. **Fig. 5**
6. Attach de-thatcher to tractor. Adjust frame mount (B) so that all four rows of tines on the frame (A) sit level on the ground when the lift handle (E) is in the operating position. **Fig.6**
7. Tines should be no deeper than 1/4" below wheels. With handle in transport position, tines should clear the ground. Tighten all hardware and test operation. **Check all hardware periodically for tightness.**



**OPERATING POSITION**

**TRANSPORT POSITION**

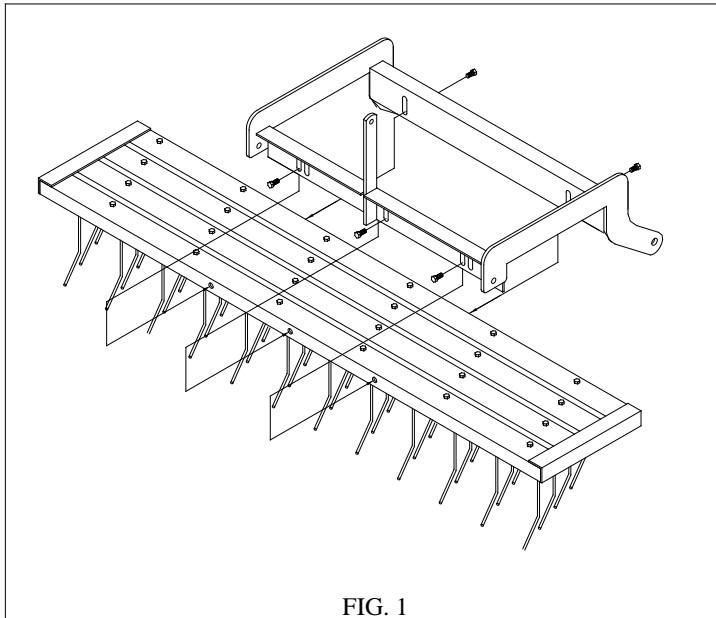


FIG. 1

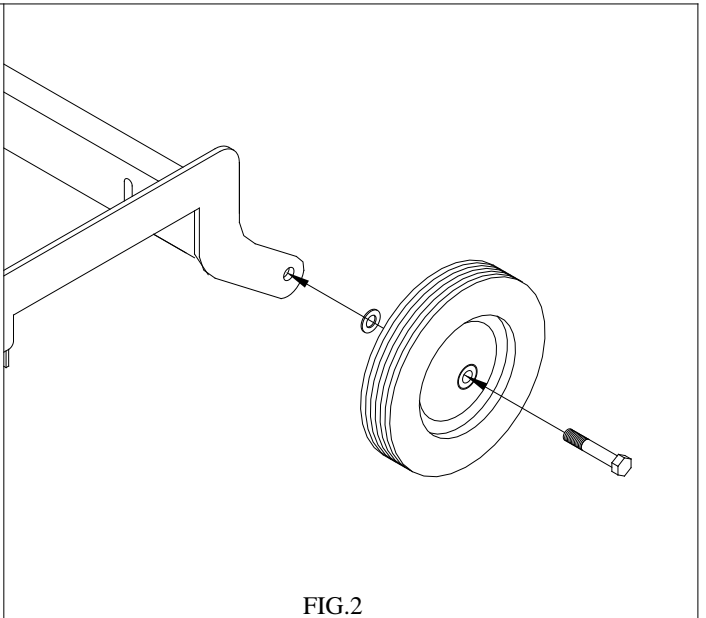


FIG. 2

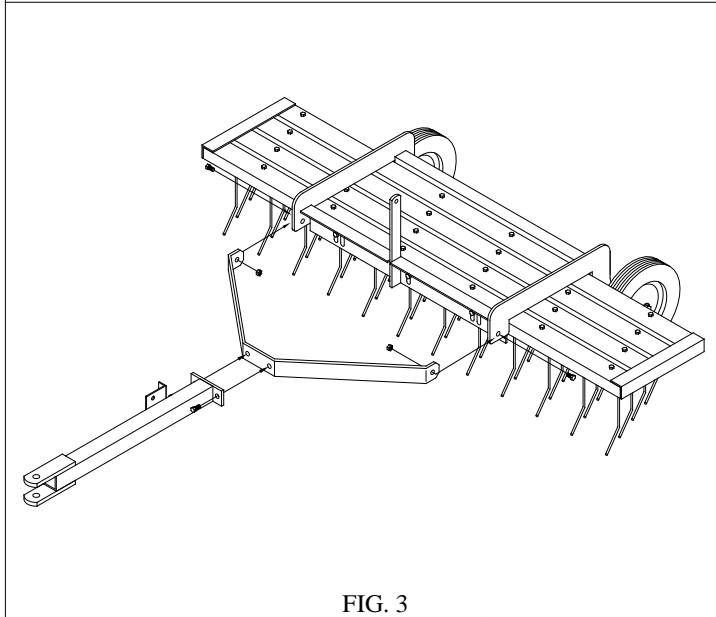


FIG. 3

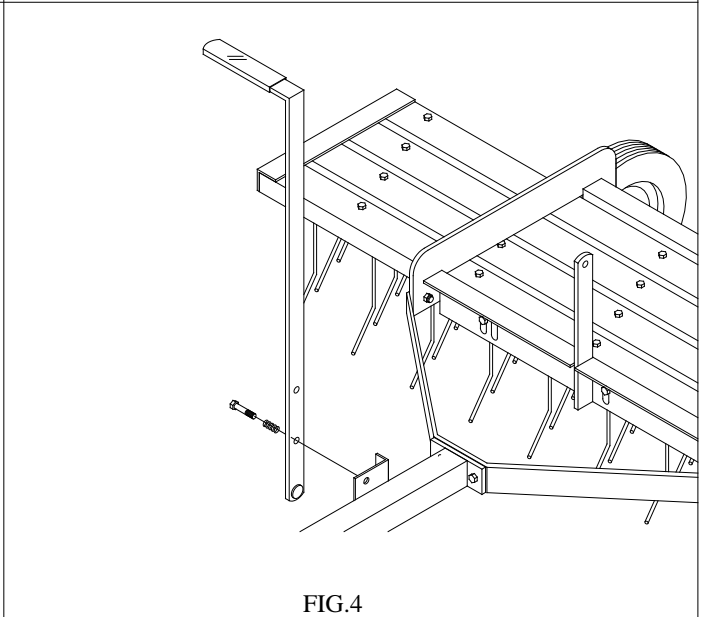


FIG. 4

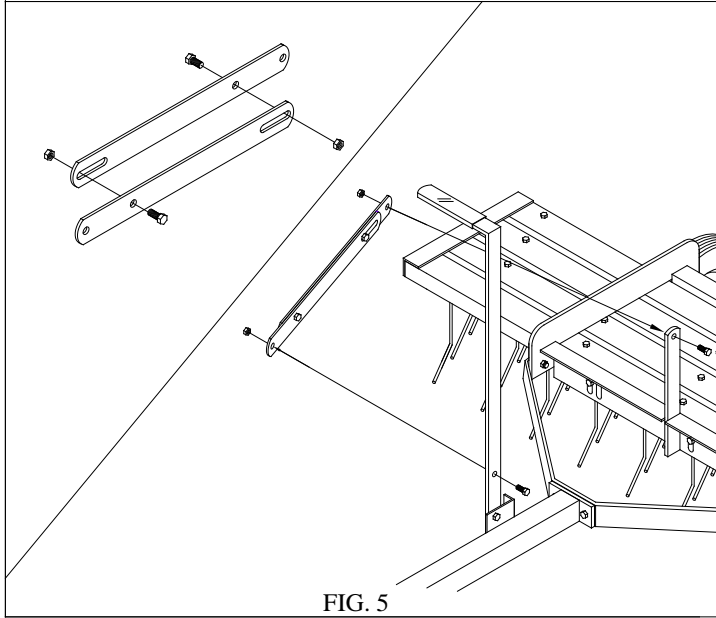


FIG. 5

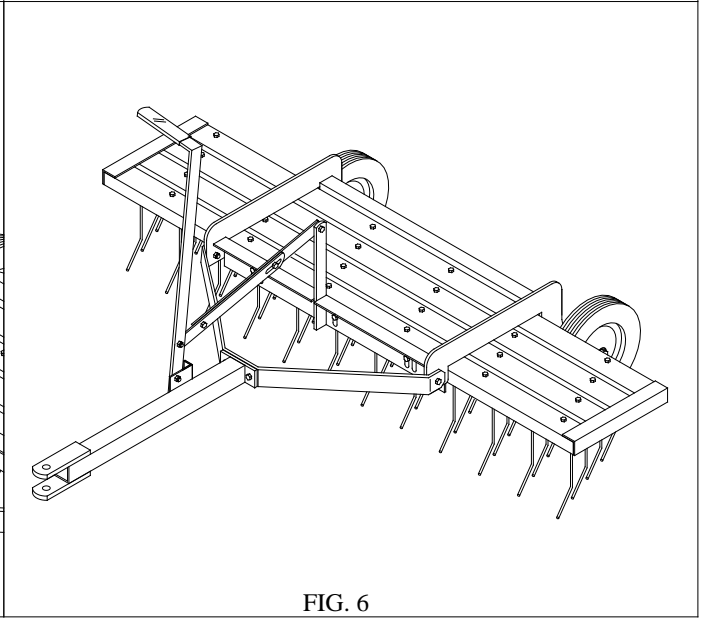
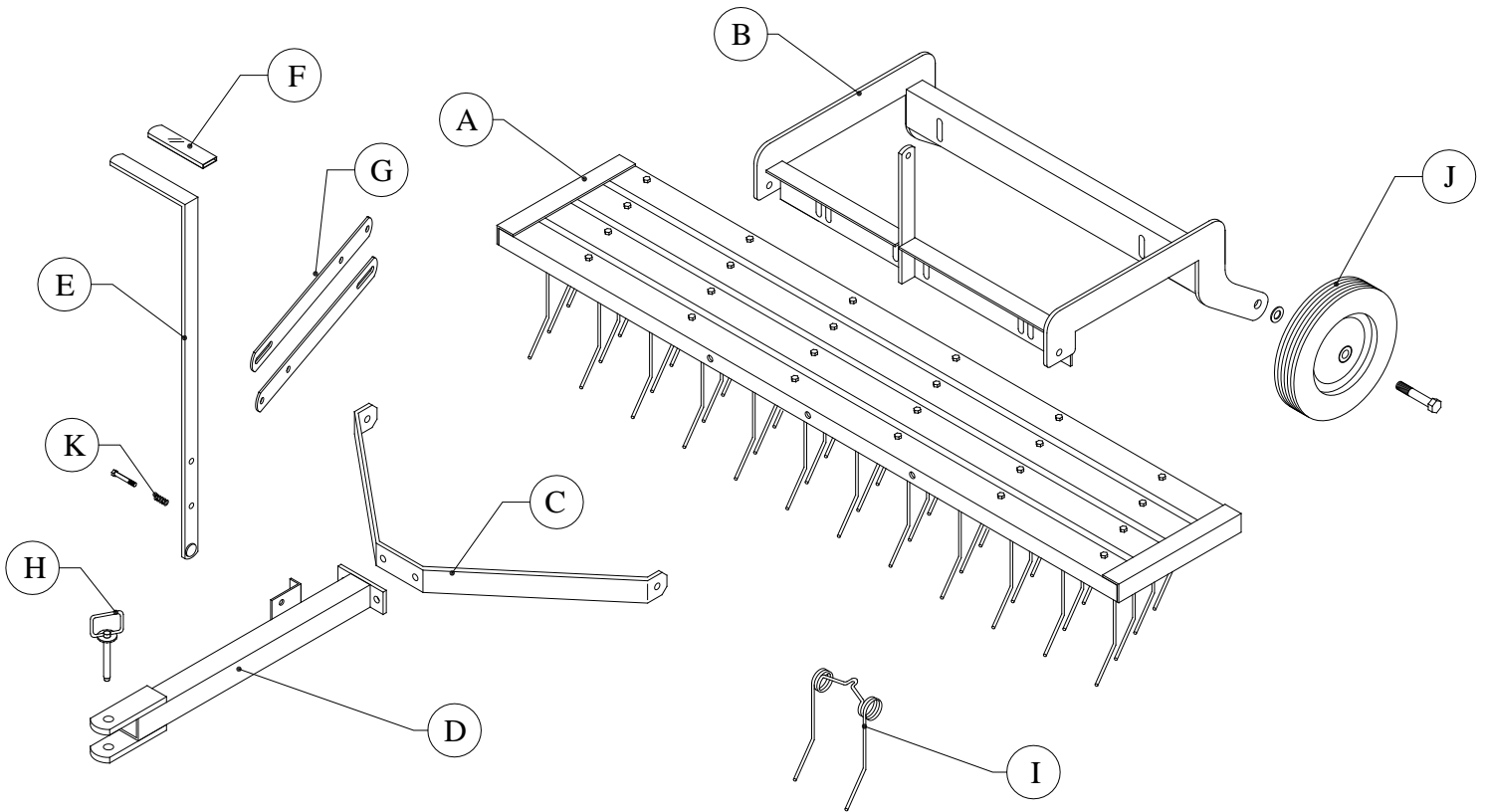


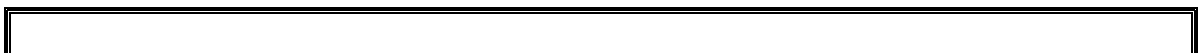
FIG. 6

## Model 330 Tow Behind De-Thatcher



Key	Part No.	Description	Qty.
A	33010	Frame, 330, 48"	1
	33510	Frame, 335, 56"	
B	33020	Frame Mount	1
C	32524	Draw Strap	1
D	32525	Draw Bar	1
E	32528	Lift Handle	1
F	32521	Hand Grip	1
G	32530	Lift Bracket	2
H	58104	Hitch Pin	1
I	32101	Tine	24
J	32104	Wheel	2
K	32108	Spring	1
	33090	Hardware Bag	1

***TRAC VAC WARRANTY POLICY***



Midwest Equipment Mfg. will repair or replace, free of charge, any part, or parts that are defective in material or workmanship or both for a period of one year residential use, and 90 day's for commercial and rental use. The purchaser will pay transportation charges on parts submitted for replacement under warranty. For warranty service, contact your local dealer from whom the unit was purchased. There are no other express or implied warranties. Some states do not allow limitations on how long an implied warranty lasts, and some states do not allow the exclusion or limitation of incidental or consequential damages, so the above limitation and exclusion may not apply to you. This warranty gives you specific legal rights and you may also have other rights, which vary from state to state.

**MIDWEST EQUIPMENT MFG.**

5225 Serum Plant Rd.

Thorntown, IN 46071

Phone: 1-800-Trac-Vac

Web Page: [www.trac-vac.com](http://www.trac-vac.com) E-Mail: [sales@trac-vac.com](mailto:sales@trac-vac.com)